



# HOSHIZAKI

## Parts List

Modular Crescent Cuber

Models

KM-1100MAJ, MWJ, MRJ



[hoshizakiamerica.com](http://hoshizakiamerica.com)

Number: 71392  
Issued: 12-12-2017

## CONTENTS

Auxiliary Codes.....	3
Note About Ordering Parts .....	3
A. Main Assembly & Refrigeration Circuit .....	4
KM-1100MAJ .....	4
KM-1100MWJ .....	6
KM-1100MRJ.....	8
B. Water Circuit .....	10
C. Control Box Assembly .....	13
D. Accessories & Labels .....	14

## **Auxiliary Codes**

### **KM-1100MAJ**

G-0 August 2017

G-1 September 2017

### **KM-1100MWJ**

G-0 August 2017

G-1 September 2017

### **KM-1100MRJ**

G-0 August 2017

G-1 September 2017

## **Auxiliary Code Breakdown**

The auxiliary code is the first two characters in the serial number. The first character indicates the year. Years progress or regress in alphabetical order. The series runs from "A" through "V" and the letters "I" and "O" are skipped. The second character indicates significant part changes within a year. Base is "0" and this number advances for each change. In cases where there is a letter in parentheses, this designates the month. This is the last character in the serial number. The series runs from "(A)" through "(M)" and the letter "(I)" is skipped. This designation is only included when identifying a parts change within an auxiliary code.

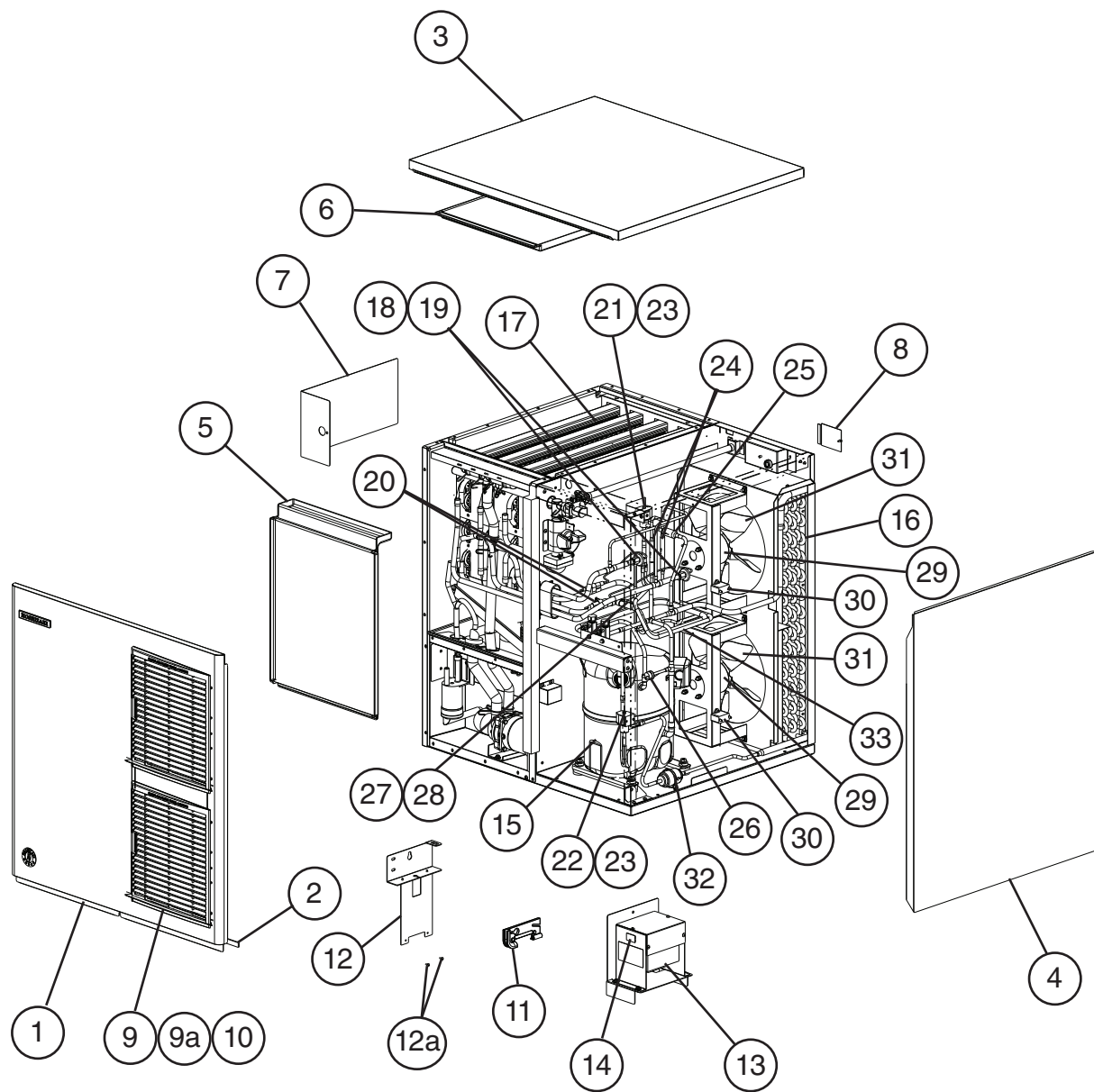
## **Note About Ordering Parts**

Most assemblies cannot be ordered as complete units; parts in the assemblies generally must be ordered separately.

# A. Main Assembly & Refrigeration Circuit

## KM-1100MAJ

G-0 to G-1

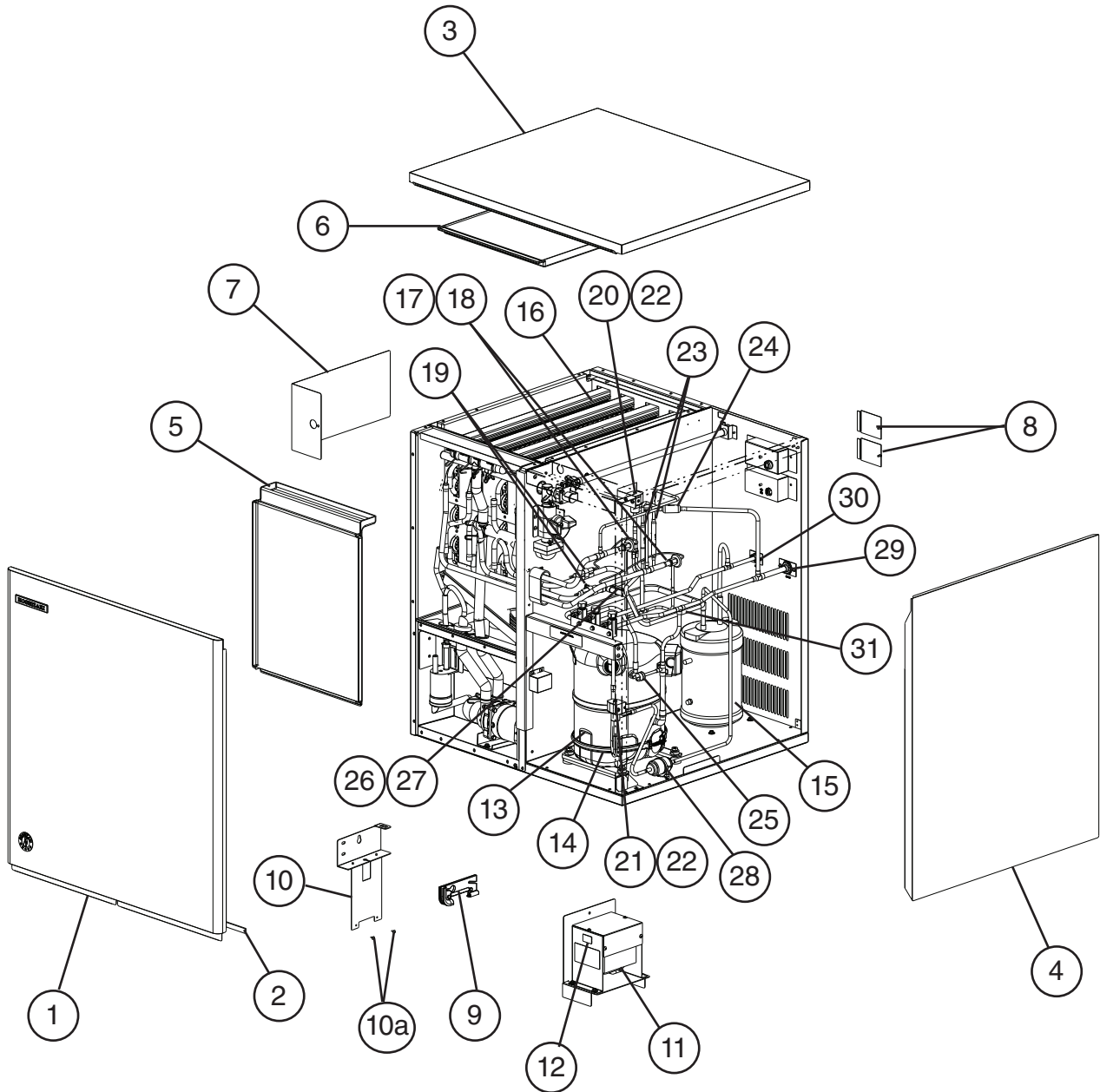


Title: A. Main Assembly & Refrigeration Circuit Model: KM-1100MAJ													
Index No.	Description	Material or Model Number	Part Number	G-0 to G-1	Required Number								
<b>Main Assembly</b>													
1	Front Panel		1A3621-01	1									
2	Gasket	L=762 mm	4A0808L02	1									
3	Top Panel		3A1941A01	1									
4	Right Side Panel		1A3617G01	1									
5	Front Insulation		3A8392G01	1									
6	Top Insulation		322714G01	1									
7	Control Box Cover		3A9007-01	1									
8	Junction Box Cover		433410-01	1									
9	Louver		1A0547-01	2									
9a	Push Retainer		4A2414-01	6									
10	Air Filter		2A2062G01	2									
11	Bulb Holder		3A3903-01	1									
12	Bulb Holder Bracket		322815G02	1									
12a	Thumbscrew		415949G10	2									
13	Main Transformer		4A5695-01	1									
14	Voltage Tap Switch		4A1477-01	1									
<b>Refrigeration Circuit</b>													
15	Compressor		4A1539-03	1									
16	Condenser		1A4459-01	1									
17	Evaporator		1A3820G01	1									
18	Thermostatic Expansion Valve		4A4008-01	2									
19	Thermostatic Expansion Valve Cover		3A0944-01	2									
20	Thermostatic Expansion Valve Bulb Holder		3A0107-01	2									
21	Hot Gas Valve Body		4A3978-01	1									
22	Liquid Line Valve Body		4A3276-01	1									
23	Valve Coil		4A3277-01	2									
24	Check Valve		4A1373-01	2									
25	Strainer		441569-02	1									
26	High-Pressure Switch		463180-04	1									
27	Thermistor		429006-03	1									
28	Thermistor Holder		427430-01	1									
29	Fan Motor		4A3158-01	2									
30	Fan Motor Capacitor	5 MFD, 250VAC	443192-02	1									
31	Fan Blade		4A3959-01	2									
32	Drier		4A1113-01	1									
33	Heat Exchanger		1A3601G01	1									



Title: A. Main Assembly & Refrigeration Circuit Model: KM-1100MWJ													
Index No.	Description	Material or Model Number	Part Number	G-0 to G-1	Required Number								
<b>Main Assembly</b>													
1	Front Panel		1A3621-02	1									
2	Gasket	L=762 mm	4A0808L02	1									
3	Top Panel		3A1941A01	1									
4	Right Side Panel		1A3617G01	1									
5	Front Insulation		3A8392G01	1									
6	Top Insulation		322714G01	1									
7	Control Box Cover		3A9007-01	1									
8	Junction Box Cover		433410-01	1									
9	Bulb Holder		3A3903-01	1									
10	Bulb Holder Bracket		322815G02	1									
10a	Thumbscrew		415949G10	2									
11	Main Transformer		4A5695-01	1									
12	Voltage Tap Switch		4A1477-01	1									
<b>Refrigeration Circuit</b>													
13	Compressor		4A1539-03	1									
14	Condenser		3A7323-01	1									
15	Water Regulating Valve		4A0911-07	1									
16	Male Connector		4A1087-01	1									
17	Evaporator		1A3820G01	1									
18	Thermostatic Expansion Valve		4A4008-01	2									
19	Thermostatic Expansion Valve Cover		3A0944-01	2									
20	Thermostatic Expansion Valve Bulb Holder		3A0107-01	2									
21	Hot Gas Valve Body		4A3978-01	1									
22	Liquid Line Valve Body		4A3276-01	1									
23	Valve Coil		4A3277-01	2									
24	Check Valve		4A1373-01	2									
25	Strainer		441569-02	1									
26	High-Pressure Switch		463180-05	1									
27	Thermistor		429006-03	1									
28	Thermistor Holder		427430-01	1									
29	Drier		4A1113-01	1									
30	Heat Exchanger		1A3601G01	1									

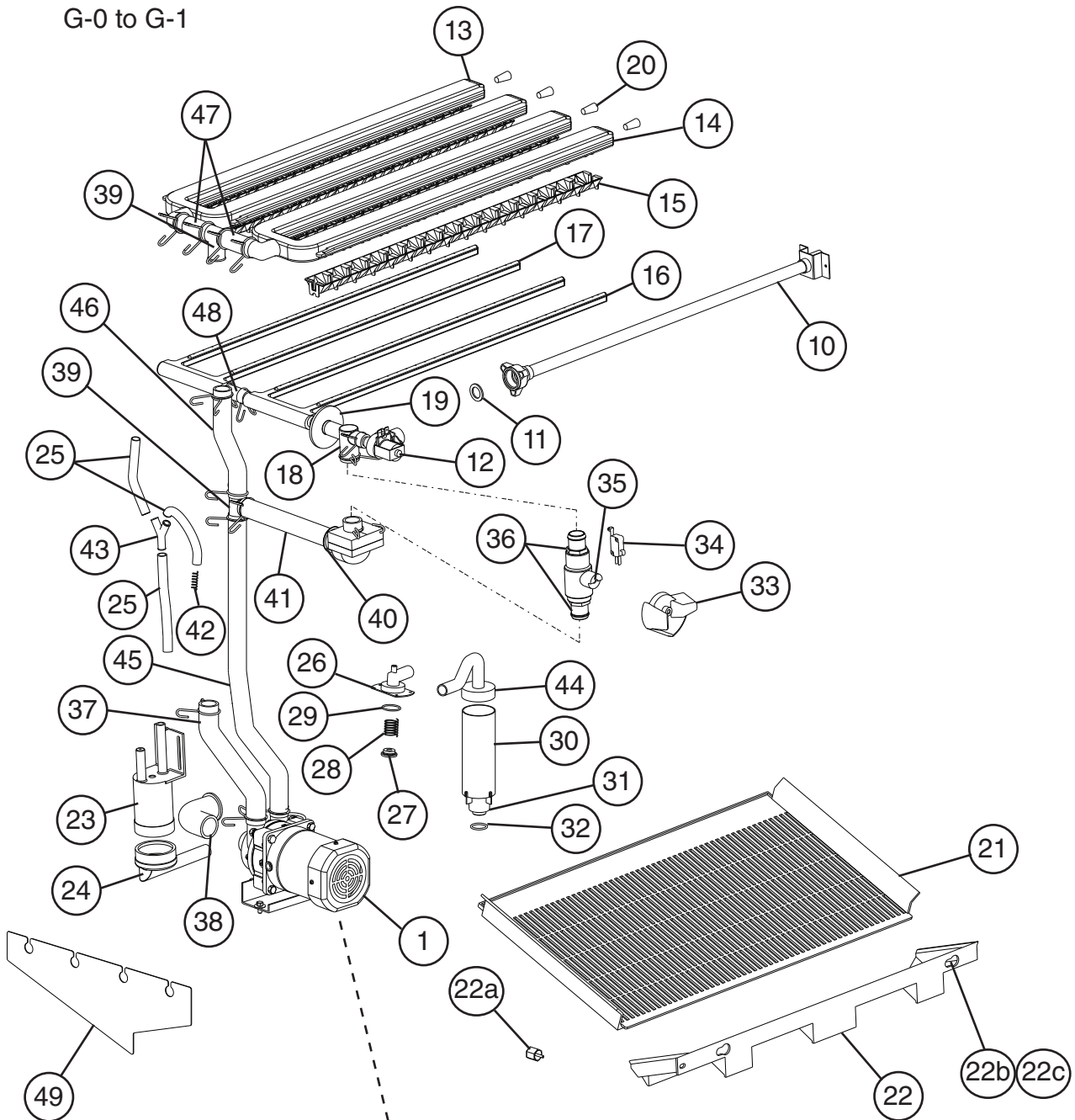
**A. Main Assembly & Refrigeration Circuit**  
**KM-1100MRJ**  
G-0 to G-1



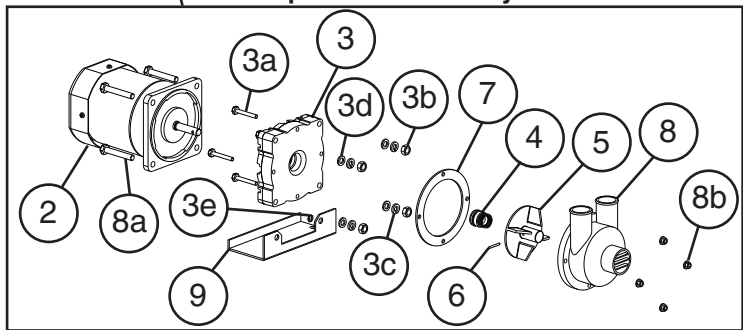


Title: A. Main Assembly & Refrigeration Circuit Model: KM-1100MRJ												
Index No.	Description	Material or Model Number	Part Number	G-0 to G-1	Required Number							
<b>Main Assembly</b>												
1	Front Panel		1A3621-02	1								
2	Gasket	L=762 mm	4A0808L02	1								
3	Top Panel		3A1941A01	1								
4	Right Side Panel		1A3617G01	1								
5	Front Insulation		3A8392G01	1								
6	Top Insulation		322714G01	1								
7	Control Box Cover		3A9007-01	1								
8	Junction Box Cover		433410-01	2								
9	Bulb Holder		3A3903-01	1								
10	Bulb Holder Bracket		322815G02	1								
10a	Thumbscrew		415949G10	2								
11	Main Transformer		4A5695-01	1								
12	Voltage Tap Switch		4A1477-01	1								
<b>Refrigeration Circuit</b>												
13	Compressor		4A1539-03	1								
14	Crankcase Heater		4A5397-02	1								
15	Receiver		437652-01	1								
16	Evaporator		1A3820G01	1								
17	Thermostatic Expansion Valve		4A4008-01	2								
18	Thermostatic Expansion Valve Cover		3A0944-01	2								
19	Thermostatic Expansion Valve Bulb Holder		3A0107-01	2								
20	Hot Gas Valve Body		4A3978-01	1								
21	Liquid Line Valve Body		4A3276-01	1								
22	Valve Coil		4A3277-01	2								
23	Check Valve		4A1373-01	2								
24	Strainer		441569-02	1								
25	High-Pressure Switch		463180-04	1								
26	Thermistor		429006-03	1								
27	Thermistor Holder		427430-01	1								
28	Drier		4A1113-01	1								
29	Discharge Line Coupling		434136G01	1								
30	Liquid Line Coupling		4A3887G01	1								
31	Heat Exchanger		1A3601G01	1								

**B. Water Circuit**  
**KM-1100M\_J**  
 G-0 to G-1



**Pump Motor Assembly**

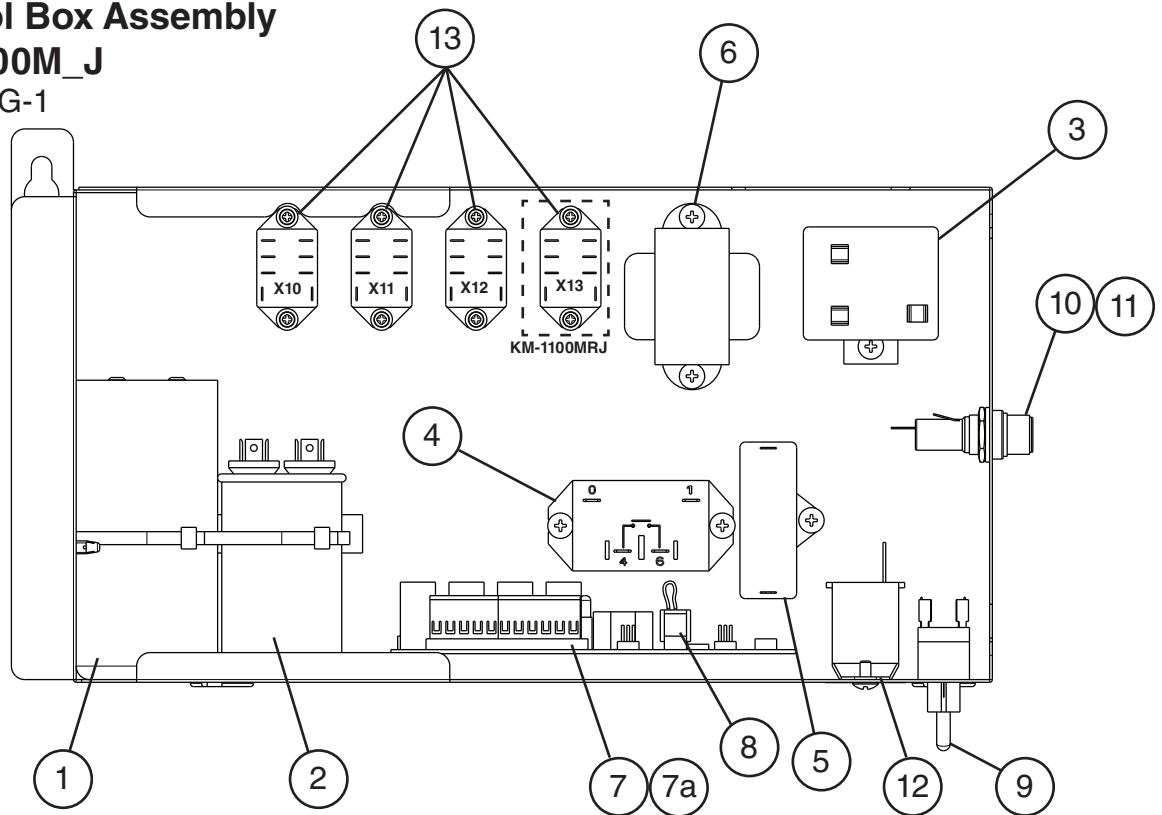


**Title: B. Water Circuit Model: KM-1100M\_J**

Index No.	Description	Material or Model Number	Part Number	G-0 to G-1	Required Number									
1	Pump Motor Assembly (includes items 2 through 9)	S-0731	215693A01	1										
2	Pump Motor		3A7682-01	1										
3	Pump Flange		215662-01	1										
3a	Hex Bolt	4x30	7B02-0430	4										
3b	Hex Nut		7N12-0600	4										
3c	Split Lock Washer		7L22-0600	4										
3d	Flat Washer		7W22-0600	4										
3e	Tooth Washer		7R22-0600	1										
4	Mechanical Seal		4A3820-01	1										
5	Impeller		428528-01	1										
6	Pin		4A0648-01	1										
7	Packing		428547-01	1										
8	Pump Housing		212636-01	1										
8a	Hex Bolt	6x40	7B02-0640	4										
8b	Hex Flange Nut		7J02-0400	4										
9	Pump Motor Bracket		435057-01	1										
10	Water Supply Pipe		4A5216G04	1										
11	Rubber Gasket		413854-03	1										
12	Inlet Water Valve		3U0111-01	1										
13	Left Spray Tube		1A0260-02	1										
14	Right Spray Tube		1A0260-01	1										
15	Spray Guide		2A4282-02	4										
16	Right Water Supply Tube		2A0079-02	1										
17	Left Water Supply Tube		2A0079-01	1										
18	Distributor A (Tee)		4A0177-01	1										
19	Flange		439267-01	1										
20	Plug		4A0176-01	4										
21	Cube Guide A		214905-01	1										
22	Cube Guide B		322644-02	1										
22a	Thumbscrew		415949G10	1										
22b	Collar		435269-01	1										
22c	Screw	4x6	7P22-0416	2										
23	Float Switch		4A3624-02	1										
24	Float Switch Connector		426799-01	1										
25	Silicone Hose	L=135 mm (each)	773013812	3										
26	Drain Valve Housing		3A1170-01	1										
27	Valve Seat		433705-01	1										
28	Spring		322685-01	1										
29	O-Ring		7611-G035	1										
30	Overflow Cap		322816-01	1										
31	Overflow Pipe		322691-02	1										
32	O-Ring		4A1234-01	1										
33	Cleaning Valve Handle		215383-01	1										
34	Cleaning Valve Microswitch		4A2546-01	1										
35	Cleaning Valve Ball Valve		439293-01	1										
36	Cleaning Valve Male Adaptor		325826-01	2										

Title: B. Water Circuit Model: KM-1100M_J												
Index No.	Description	Material or Model Number	Part Number	Required Number								
				G-0 to G-1								
37	Drain Hose		435092-01	1								
38	Inlet Hose A		435091-01	1								
39	Distributor B (Tee)		432426-01	2								
40	Rubber Ring		439236-01	1								
41	Bypass Hose		439265-01	1								
42	Spring		435825-01	1								
43	Connector		432763-01	1								
44	Hose (C)		326655-01	1								
45	Vinyl Hose	L=470 mm	7716-2025	1								
46	Vinyl Hose	L=170 mm	7716-2025	1								
47	Vinyl Hose	L=63 mm	7716-2025	2								
48	Vinyl Hose	L=47 mm	7716-1519	1								
49	Splash Guard		4A6118-01	1								
<b>Hose Clamps</b>												
	Hose Clamp	25 mm	427443-03	11								
		18 mm	427443-05	3								
		27 mm	427443-08	2								

**C. Control Box Assembly**  
**KM-1100M\_J**  
 G-0 to G-1

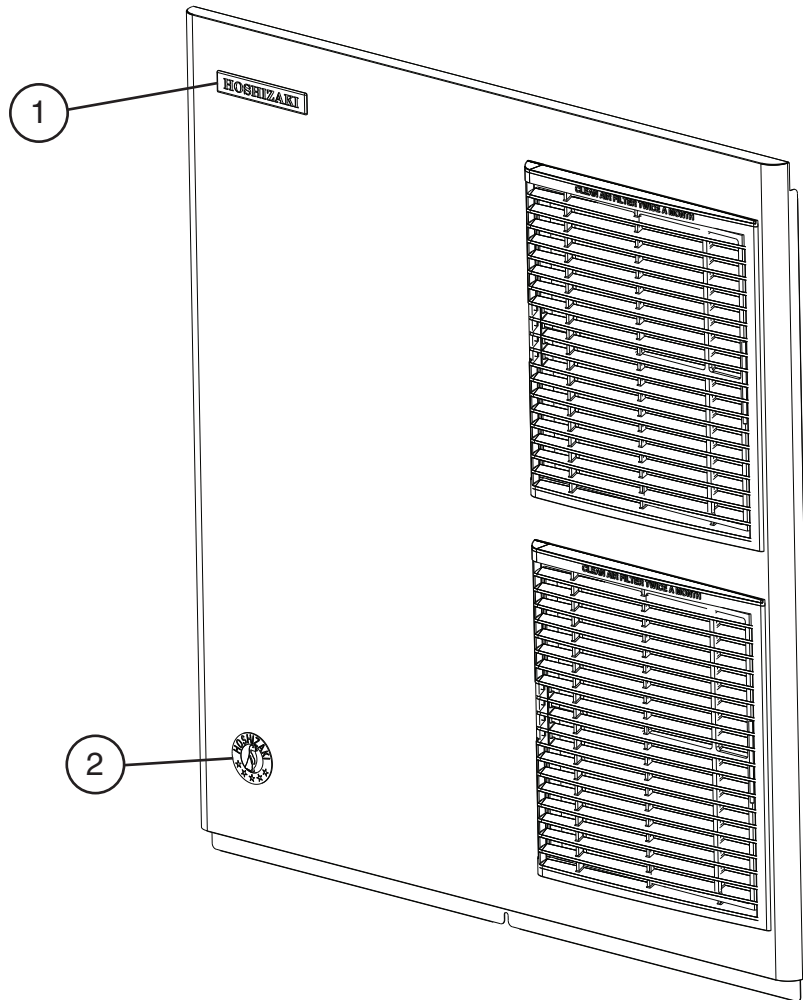


Title: C. Control Box Assembly		Model: KM-1100M_J		Required Number							
Index No.	Description	Material or Model Number	Part Number	G-0	G-1						
				1	Start Capacitor	145-174MFD, 220VAC	3A0076-11	1	1		
2	Run Capacitor	30MFD, 370VAC	3A2005-03	1	1						
3	Start Relay		4A1107-13	1	1						
4	Compressor Relay		4A3140-01	1	1						
5	Pump Motor Capacitor	10MFD, 250VAC	443192-01	1	1						
6	Control Transformer		3A0172-01	1	1						
7	Control Board		2A7664-01	1	-						
			2A7664-02		1						
7a	Control Board Support		4A0336-03	4	4						
8	K4 Jumper		4A4883G01	1	1						
9	Control Switch		443119-01	1	1						
10	Fuse Holder		4A5443-01	1	1						
11	Fuse	AGC-10, 250VAC, 10A	4A0893-07	1	1						
12	Bin Control Thermostat		4A2879-02	1	1						
13	Relay (X10 - Pump Motor Relay X11 - Control Relay X12 - Slush Control)	<b>All Models</b>	406132-07	3	3						
	Relay (X13 - Crankcase Heater)	<b>KM-1100MRJ</b>		1	1						

## D. Accessories & Labels

### KM-1100M\_J

G-0 to G-1



Title: D. Accessories & Labels Model: KM-1100M_J										
Index No.	Description	Material or Model Number	Part Number	Required Number						
				G-0 to G-1						
1	Hoshizaki Emblem Label		4A0560-01	1						
2	Penguin Label		475552L02	1						
3	Universal Brace		4A0363-01	2						
3a	Hex Head Bolt		7B02-0512	2						